

# High Power SPDT Switch ES0314-20



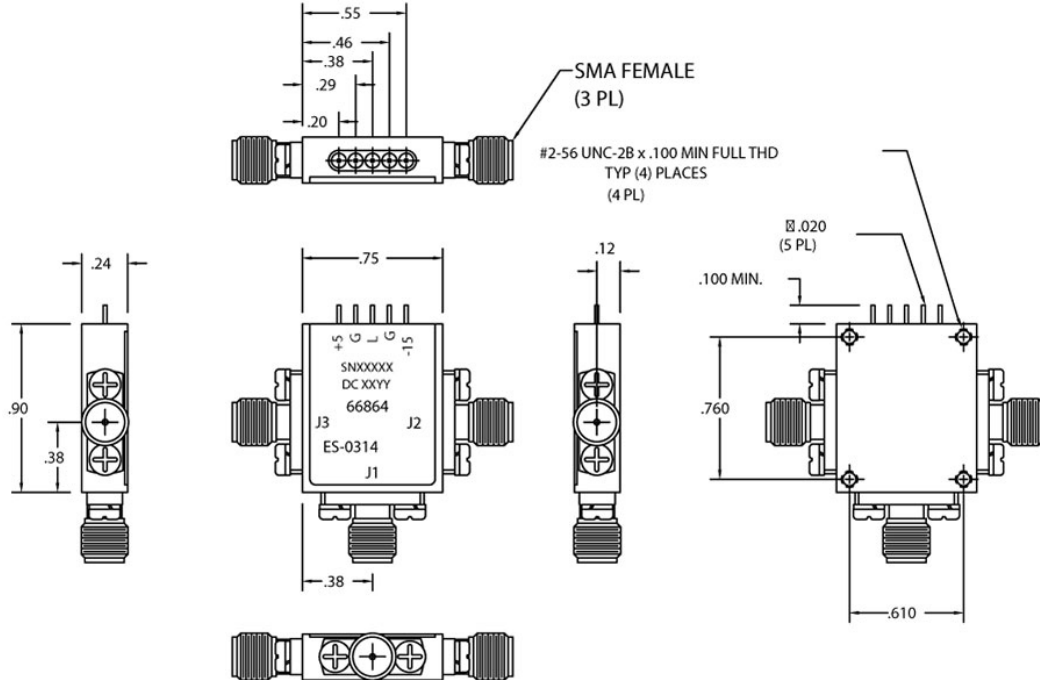
Specifications are subject to change without notice

## Specifications (+25°C)

Parameter	Value
RF Frequency	2 GHz to 18 GHz
Peak Power	20 Watts Max
Average Power	20 Watts Max
Pulse Width	CW uSec Max
Load VSWR	2:1 Max
VSWR	2:1 Max
Switching Speed	200 ns Max

Parameter	Value
RF Connector	SMA-F
Bias Connector	Solder Pins
Control Connector	Solder Pins
Control	TTL
Positive Supply	5 Vdc 100 mA
Negative Supply	-28 Vdc
Power	80 mA
Storage Temperature	-55 to 125 °C
Operating Temperature	-55 to 85 °C

## Outline Drawing



All dimensions are in inches

### Need More Help? Need a Variant of This Product?

Contact Mercury's RF & Microwave engineering team at [rf.microwave@mrcy.com](mailto:rf.microwave@mrcy.com) or visit [www.mrcy.com/rf](http://www.mrcy.com/rf) for a detailed listing of RF and Microwave products.



Corporate Headquarters • 50 Minuteman Road • Andover, MA 01810 USA • (978) 967-1401 • (866) 627-6951 • Fax (978) 256-3599 • [www.mrcy.com](http://www.mrcy.com)