

High Power SPDT Switch ES0314-5



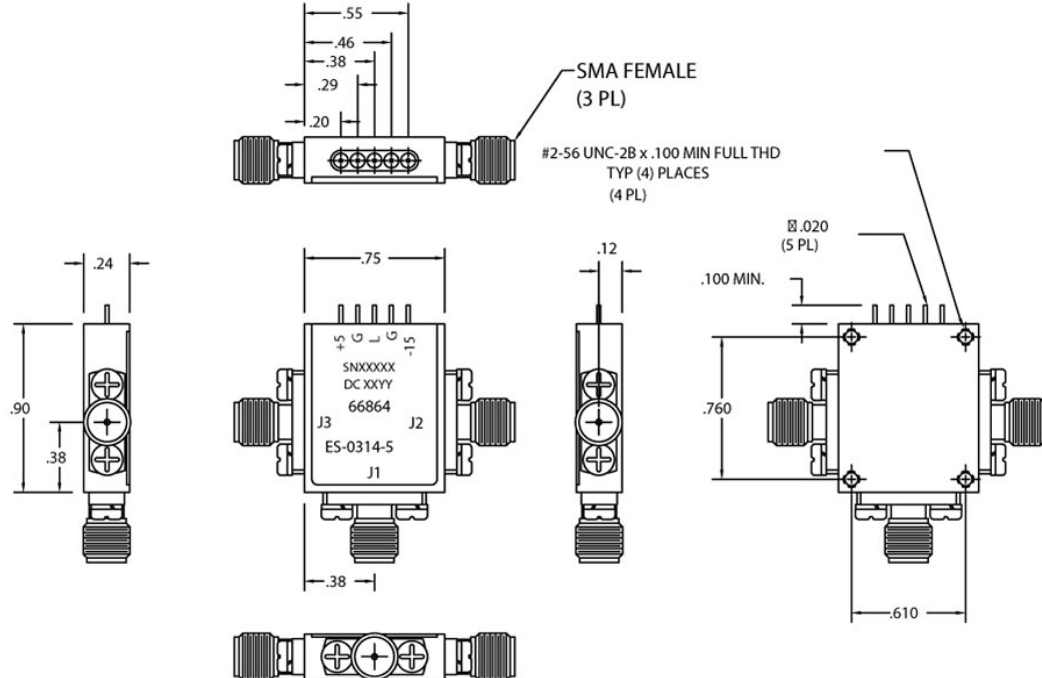
Specifications are subject to change without notice

Specifications (+25°C)

Parameter	Value
RF Frequency	2 GHz to 18 GHz
Peak Power	5 Watts Max
Average Power	5 Watts Max
Pulse Width	CW uSec Max
Load VSWR	2:1 Max
VSWR	1.6:1 Max
Switching Speed	150 ns Max

Parameter	Value
RF Connector	SMA-F
Bias Connector	Solder Pins
Control Connector	Solder Pins
Control	TTL
Positive Supply	5 Vdc 80 mA
Negative Supply	-15 Vdc
Power	80 mA
Storage Temperature	-55 to 125 °C
Operating Temperature	-55 to 85 °C

Outline Drawing



All dimensions are in inches

Need More Help? Need a Variant of This Product?

Contact Mercury's RF & Microwave engineering team at rf.microwave@mrcy.com or visit www.mrcy.com/rf for a detailed listing of RF and Microwave products.



Corporate Headquarters • 50 Minuteman Road • Andover, MA 01810 USA • (978) 967-1401 • (866) 627-6951 • Fax (978) 256-3599 • www.mrcy.com