

Bandpass Filter L1318



Specifications are subject to change without notice

Electrical Specifications (+25°C)

Parameter	Value
Passband	1535 - 1585 MHz
Insertion loss	0.3 dB
VSWR	1.4:1
Rejection	55 dB from 1 to 1400 MHz
Rejection	55 dB from 1750 to 3290 MHz
Connectors	SMA female
Package Size	1.0" x 2.0" x 3.0"

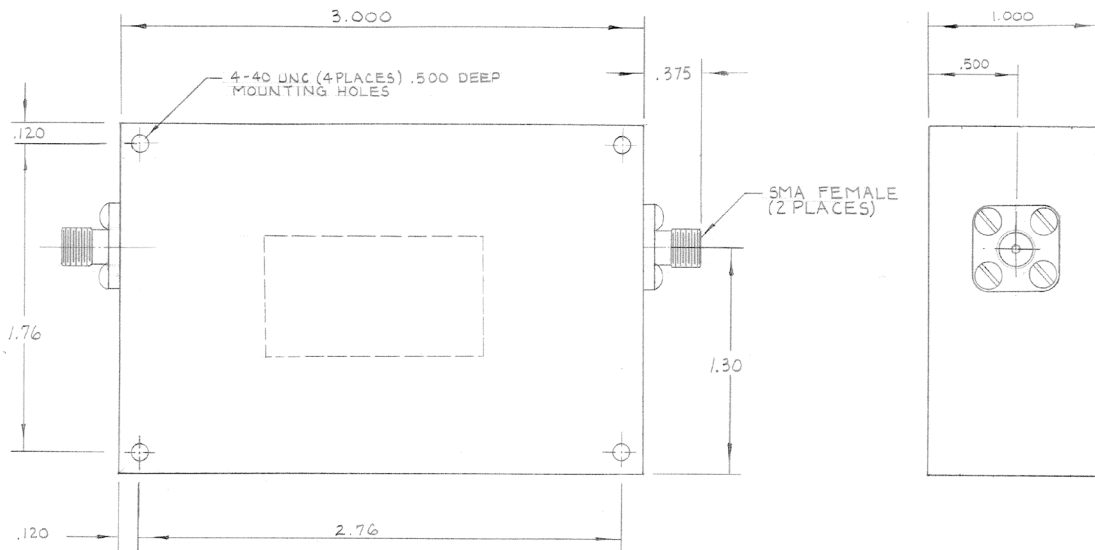
Features

- Cavity design
- Low loss

Applications

NMARSAT

Outline Drawing



All dimensions are in inches

Need More Help? Need a Variant of This Product?

Contact Mercury's RF & Microwave engineering team at rf.microwave@mrcy.com or visit www.mrcy.com/rf for a detailed listing of RF and Microwave products.



Corporate Headquarters • 50 Minuteman Road • Andover, MA 01810 USA • (978) 967-1401 • (866) 627-6951 • Fax (978) 256-3599 • www.mrcy.com