

GPS Diplexer L5215



Specifications are subject to change without notice

Electrical Specifications (+25°C)

Parameter	Value
Passband	L1 1575.42 +/- 15 MHz L2 1227.6 +/- 15 MHz
Insertion Loss	1.5 dB
VSWR	1.5:1
Rejection	30 dB @ Fo +/- 325 MHz
Connectors	SMA Female
Package Size	0.5 x 1.34 x 1.38"

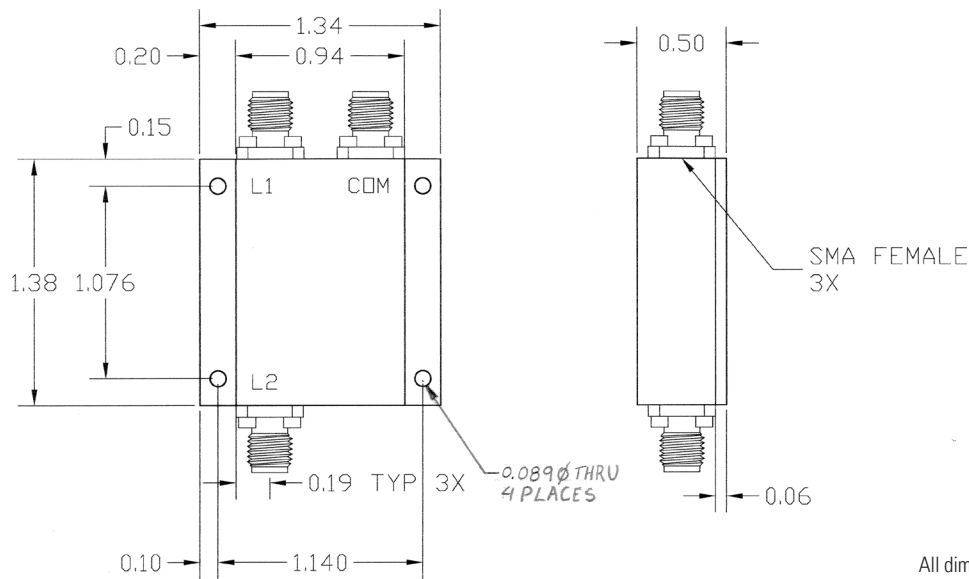
Features

- Cavity Design
- Low Loss

Applications

- Maritime
- Airborne
- Mobile
- Timing
- Test Equipment

Outline Drawing



All dimensions are in inches

Need More Help? Need a Variant of This Product?

Contact Mercury's RF & Microwave engineering team at rf.microwave@mrcy.com or visit www.mrcy.com/rf for a detailed listing of RF and Microwave products.



Corporate Headquarters • 50 Minuteman Road • Andover, MA 01810 USA • (978) 967-1401 • (866) 627-6951 • Fax (978) 256-3599 • www.mrcy.com