

GPS Filter Amplifier

L54128



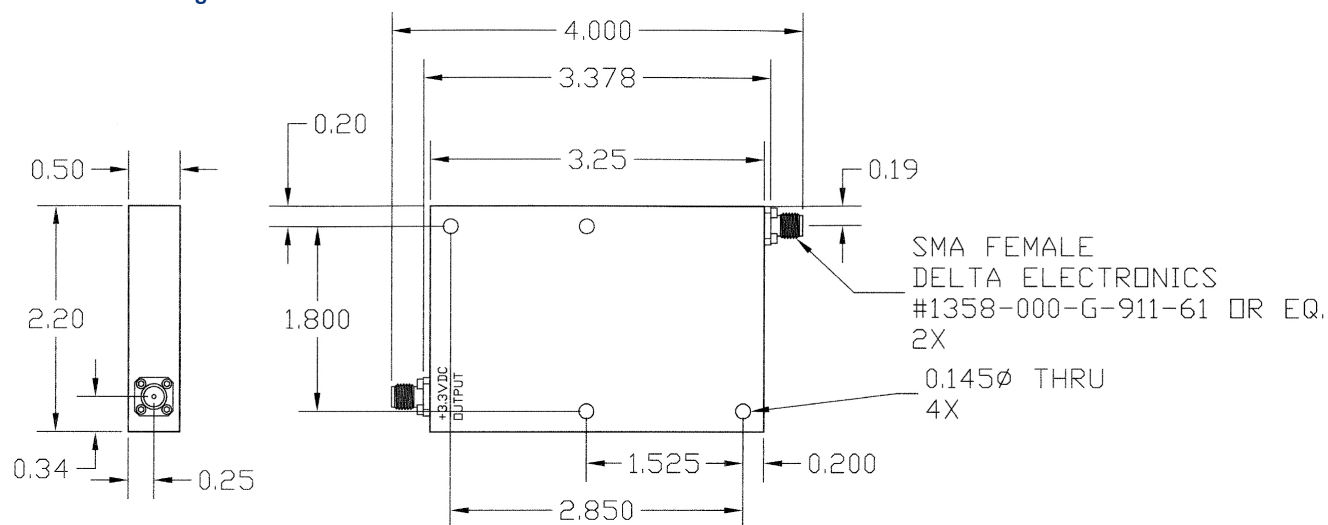
Specifications are subject to change without notice

Electrical Specifications (+25°C)

Parameter	Value
Passband	1227 +/- 10 MHz 1575 +/- 10 MHz
1 dB Bandwidth	>± 13 MHz
3 dB Bandwidth	>± 17 MHz <± 33 MHz
20 dB Bandwidth	<± 50 MHz
40 dB Bandwidth	<+135 MHz
50 dB Bandwidth	<± 200 MHz
Gain, Net , L1 or L2	10-14 dB
Δ Gain, L1 to L2	<3dB, <2dB goal
PB Ripple, Fo ± 8 MHz	<+ 0.4 dB
Ultimate Attenuation (a). 0.01 – 5GHz, excluding PB (L1, L2 + 150 MHz) (b). 5-18GHz	(a) >55dBo (b) >45dBo
Noise Figure	<2.7 dB @ 25° C <3.2 dB @ -40 to +80° C
VSWR, Input Fo ± 10 MHz	<1.6:1 Maximum
VSWR, Output Fo ± 10 MHz	<1.7:1 Maximum
DC Power, via output RF connector	+3.3V +0.5V, <40mA
In-Band Input Power, Survive, Non-Operate, (In band: L1/L2 to + 20 MHz) Duration < 1 minute	1 Watt peak, <0.3W, CW
In Band, Max. Input Power Operate	-15dBm max.
Out-Of Band Max Input Power, Survive, Non-Operate excluding L1/L2 to ±150 MHz Duration <1 minute	10 Watts Peak, <0.3W, CW 0.1-18 GHz
1dB Compression, Output	> +1dBm
Operating Temperature-Ambient, Baseplate	-40°C to +80 O C
Delta Time Delay, Fo +8 MHz	<8ns p-p
Sealing	Gross Leak per MIL-STD-202, Method 112, Condition D.
Connectors	SMA Female, gold
Finish	Haze Gray per MIL-P-24441, Type 1
Connectors	SMA Female per MIL-C-39012
Finish	Haze Gray per MIL-P-24441, Type 1



Outline Drawing



All dimensions are in inches

Need More Help? Need a Variant of This Product?

Contact Mercury's RF & Microwave engineering team at rf.microwave@mrcy.com or visit www.mrcy.com/rf for a detailed listing of RF and Microwave products.

Corporate Headquarters

50 Minuteman Road • Andover, MA 01810 USA • (978) 967-1401 • (866) 627-6951 • Fax (978) 256-3599 • www.mrcy.com