

GPS Dual Filter L54132



Specifications are subject to change without notice

Electrical Specifications (+25°C)

Parameter	Value
Passband	L1 1575.42 +/- 8 MHz L2 1227.6 +/- 8 MHz
3 dB Bandwidth	28 MHz min, 38 MHz Max
Insertion Loss	1.9 dB
VSWR	1.25:1
70 dB Bandwidth	300 MHz Maximum
Ultimate Attenuation	65 dB from 10 to 4000 MHz outside the 70 dB Bandwidth
Group Delay Variation	4 nsec Max at Fo +/- 8 MHz
Connectors	SMA Female
Package Size	0.55 x 2.0 x 3.0"

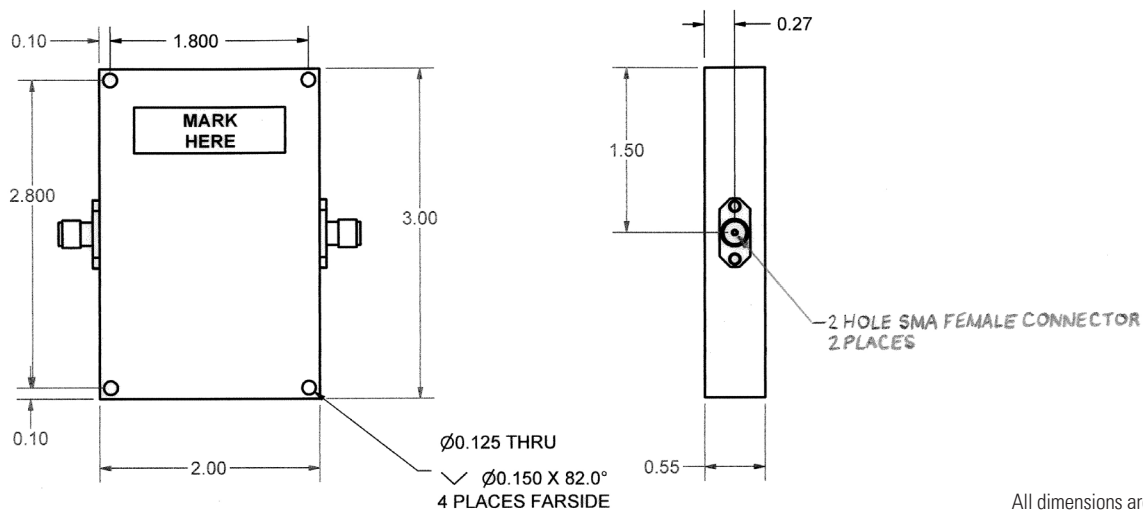
Features

- L1 and L2
- Cavity Design
- Low Loss

Applications

- Airborne
- Maritime
- Missile

Outline Drawing



All dimensions are in inches

Need More Help? Need a Variant of This Product?

Contact Mercury's RF & Microwave engineering team at rf.microwave@mrcy.com or visit www.mrcy.com/rf for a detailed listing of RF and Microwave products.



Corporate Headquarters • 50 Minuteman Road • Andover, MA 01810 USA • (978) 967-1401 • (866) 627-6951 • Fax (978) 256-3599 • www.mrcy.com