

# GPS Dual Filter L54144



Specifications are subject to change without notice

## Electrical Specifications (+25°C)

Parameter	Value
Passband	L1 1227.6 +/- 12 MHz L2 1575.42 +/- 12 MHz
Insertion Loss	0.5 dB
Insertion Loss Variation	0.1
Insertion Loss Tracking	0.1 Between any filter
L1-L2 Loss Tracking	0.2 dB
VSWR (Input/Output)	1.5:1
Rejection	25 dBc @ 1167.6 MHz ; 25 dBc @ 1287.6 MHz ; 25 dBc @ 1515.42 MHz; 25 dB @ 1635.42 MHz 45 dBc from 2000-2500 MHz
Group Delay Variation	+/- 2nS Over Passband
Group Delay Unit-to Unit Tracking	1 nS Maximum
RF power Handling	1 Watt CW Inband; < 2000 MHz 330W peak; <2000 MHz 450 W Peak
Connectors	SMA Female (In) SMA Male (Out)
Operating Temperature	-40 - +60 C
Package Size	1.0 x 3.0 x 3.0"

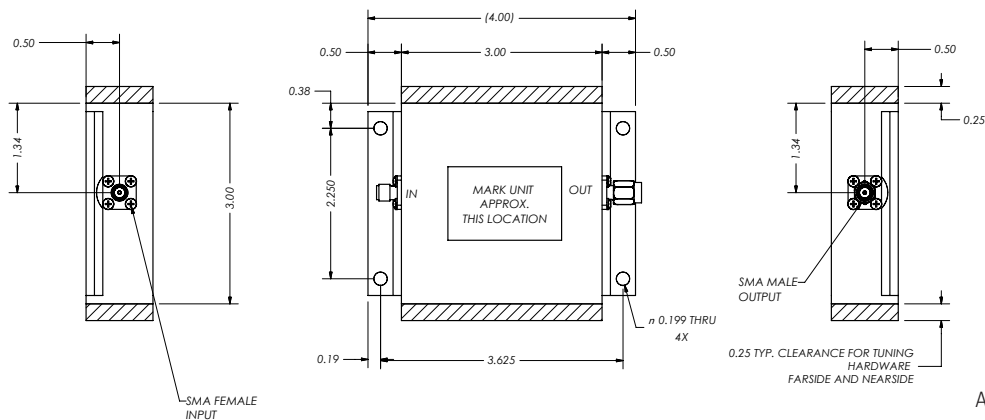
## Features

- Cavity Design
- Low Loss

## Applications

- Mobile
- Airborne
- Test Equipment

## Outline Drawing



All dimensions are in inches

## Need More Help? Need a Variant of This Product?

Contact Mercury's RF & Microwave engineering team at [rf.microwave@mrcy.com](mailto:rf.microwave@mrcy.com) or visit [www.mrcy.com/rf](http://www.mrcy.com/rf) for a detailed listing of RF and Microwave products.



Corporate Headquarters • 50 Minuteman Road • Andover, MA 01810 USA • (978) 967-1401 • (866) 627-6951 • Fax (978) 256-3599 • [www.mrcy.com](http://www.mrcy.com)