

# GPS Dual Filter L5540



Specifications are subject to change without notice

## Electrical Specifications (+25°C)

Parameter	Value
Passband	L1 1575.42 +/- 11 MHz L2 1227.6 +/- 11 MHz
Insertion Loss	1.0 dB
VSWR	1.3:1
Time Delay Variation	< 8 nS over Fo +/- 8 MHz
3 dB Bandwidth	24 MHz Min 32 MHz Max
40 dB Bandwidth	45 MHz Max
60 dB Bandwidth	55 MHz Max
Connectors	SMA Female (1 in 2 out)
Package Size	1.25 x 2.6 x 5.8"

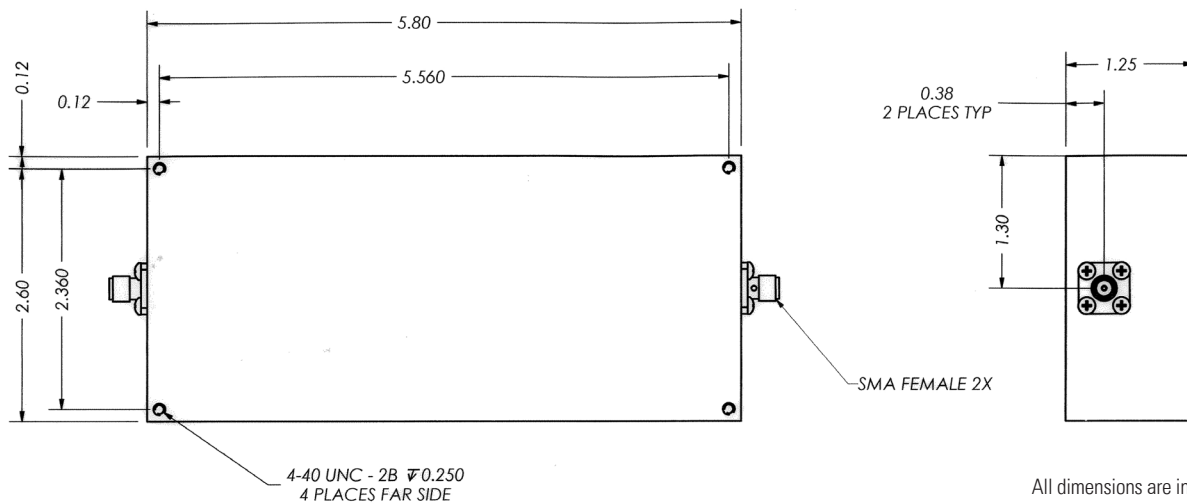
## Features

- Cavity Design
- Low Loss

## Applications

- Maritime
- Airborne
- Mobile
- Timing
- Test Equipment

## Outline Drawing



## Need More Help? Need a Variant of This Product?

Contact Mercury's RF & Microwave engineering team at [rf.microwave@mrcy.com](mailto:rf.microwave@mrcy.com) or visit [www.mrcy.com/rf](http://www.mrcy.com/rf) for a detailed listing of RF and Microwave products.



Corporate Headquarters • 50 Minuteman Road • Andover, MA 01810 USA • (978) 967-1401 • (866) 627-6951 • Fax (978) 256-3599 • [www.mrcy.com](http://www.mrcy.com)