

GPS Filter/Amplifier L5627



Specifications are subject to change without notice

Electrical Specifications (+25°C)

Parameter	Value
Center Frequency	L1 Channel: 1575.4 + 10 MHz L2 Channel: 1227.6 + 10 MHz
1 dB Two-sided Bandwidth	24 MHz min
80 dB Two-sided Bandwidth	200 MHz max
Rejection	80 minimum dB for all frequencies between 100 MHz and 10GHz that are greater than + 100 MHz from L1 and L2. 65 dB minimum from 10 GHz to 12 GHz
Center Frequency Gain	25 dB + 3 dB
Noise Figure	4.1 dB at L1 and L2
VSWR	1.5:1 referenced to 50 Ohms
Voltage	9 to 25 VDC through RF Output
Current	0.060 Amps max
Finish	Haze Gray per MIL-P-24441, Type 1
RF Connectors	SMA Female - Removable -
Operating Temp	- 50 to + 71 °C
Elevated Temperature	+ 71 to + 95 °C
Non Operating Temperature	- 62 to + 95 °C
Altitude	-1000 to +70,000 feet
Humidity	100 percent, condensing
Sand and Dust	MIL-STD- 810, Method 510.1, Procedure I.
Salt Spray	MIL-STD- 810, Method 510.1, Procedure I.
Salt Water Immersion	Non-operating, One hour immersion per MIL-STD-810, Method 512.1, Procedure III.
Shock	MIL-STD-810, Test Method 516.2, Procedure I Amplitude @ 20 g and time 11 ms
Rain	MIL-STD-810, Test Method 506.1, Procedure I
Package Size	0.5 x 1.3 x 4.0"

Features

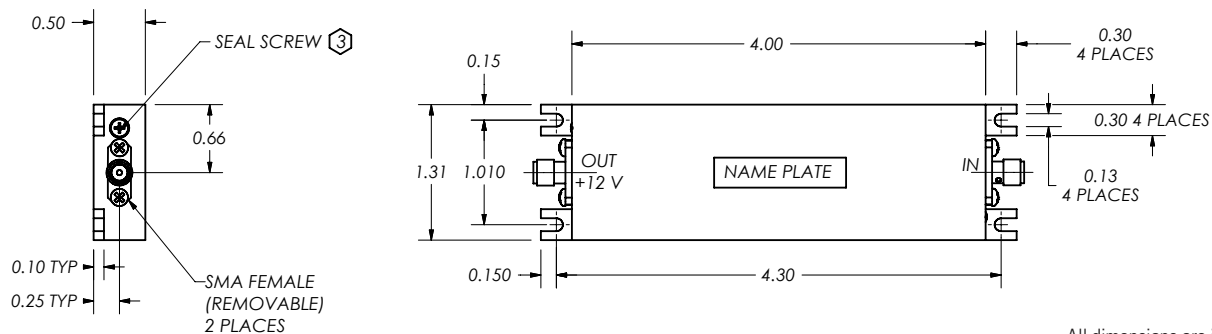
- L1+L2 Operation
- Low Noise Figure
- Cavity Filter
- Discreet Amplifier
- Excellent out-of-band attenuation

Applications

- Aircraft
- Maritime
- Mobile
- Test Equipment



Outline Drawing



All dimensions are in inches

Need More Help? Need a Variant of This Product?

Contact Mercury's RF & Microwave engineering team at rf.microwave@rcy.com or visit www.rcy.com/rf for a detailed listing of RF and Microwave products.



Corporate Headquarters

50 Minuteman Road • Andover, MA 01810 USA • (978) 967-1401 • (866) 627-6951 • Fax (978) 256-3599 • www.rcy.com