

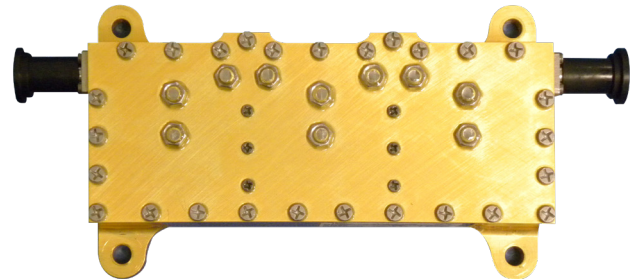
Space Qualified Band Reject Filter S2306



Specifications are subject to change without notice

Specifications (+25° C)

Parameter	Value
Passband	2200-2300 MHz
Insertion Loss	0.4 dB
VSWR	1.5:1
Rejection	30 dB from 2000-2045 MHz
Rejection	8 dB from 2045-2093 MHz
Power Handling through critical pressure	10W CW
Power handling at hard vacuum (1X10 ⁻⁷ or greater)	50W CW
Connectors	SMA Female



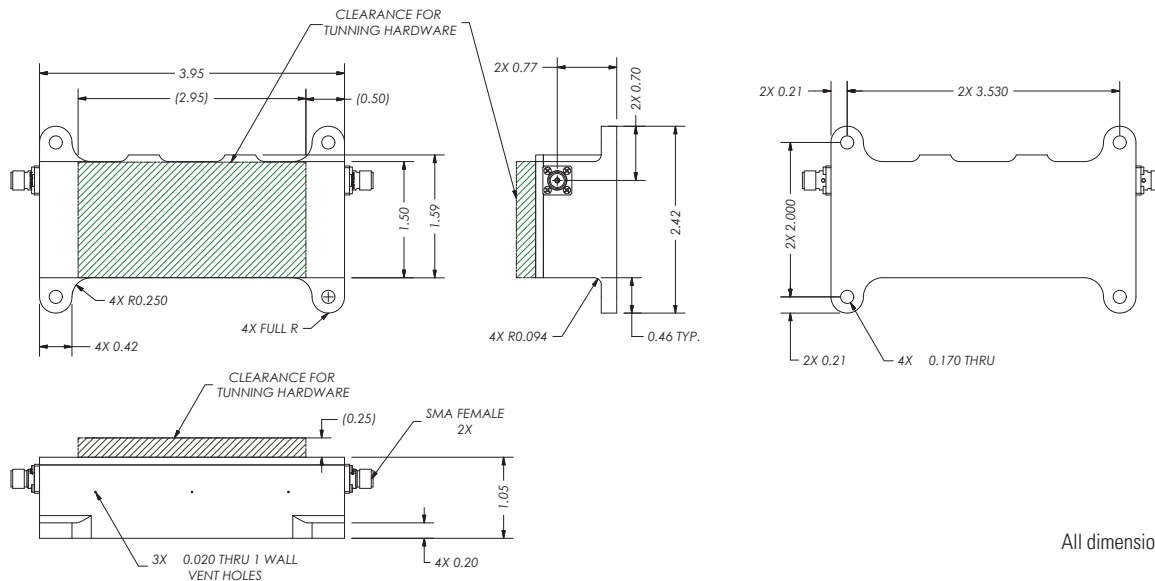
Features

- Cavity design
- High Power
- Low Loss
- Vented

Applications

- Space based telemetry
- Transmit reject

Outline Drawing



All dimensions are in inches

Need More Help? Need a Variant of This Product?

Contact Mercury's RF & Microwave engineering team at rf.microwave@mrcy.com or visit www.mrcy.com/rf for a detailed listing of RF and Microwave products.



Corporate Headquarters • 50 Minuteman Road • Andover, MA 01810 USA • (978) 967-1401 • (866) 627-6951 • Fax (978) 256-3599 • www.mrcy.com