

Space Qualified 3 dB 90° Hybrid Coupler S6118



Specifications are subject to change without notice

Electrical Specifications (+25°C)

Parameter	Value
Passband	2000 to 2400 MHz
Insertion Loss	0.3 dB Maximum*
VSWR	1.25:1 maximum
Amplitude Balance	0.5 dB Peak-to-Peak
Phase Balance	90° ± 2°
Isolation	20 dB Minimum
Power Handling	20 Watts CW through critical pressure to 1x10 ⁻⁸ Torr with >6 dB margin (100 watt design)
Outgassing	< 0.1% CVCM and < 1% TML
Connectors	SMA Female per MIL-C-39012
Operating Temperature	-65° to +85° C

Parameter	Value
Screening	Per MIL-DTL-23971D Screened in lots of 50 Group A and Group B testing per "Space Flight Application" guidelines
Weight	1.5 oz., 0.09 lb.
Package Size	0.50" x 0.66" x 1.16"

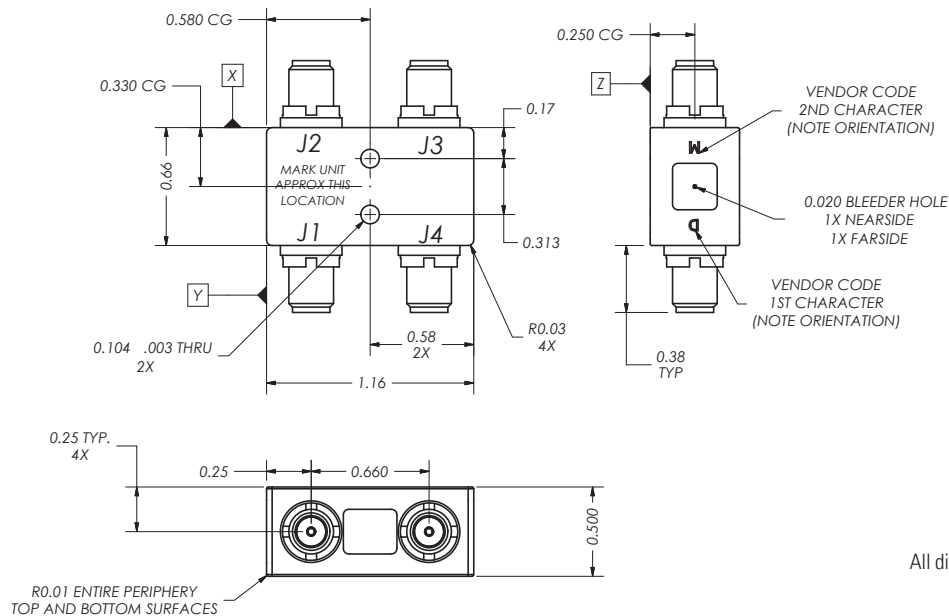
Features

Stripline Design
Space Qualified
Low Loss
Vented

Applications

Booster / Space
High Reliability

Outline Drawing



All dimensions are in inches

Need More Help? Need a Variant of This Product?

Contact Mercury's RF & Microwave engineering team at rf.microwave@mrcy.com or visit www.mrcy.com/rf for a detailed listing of RF and Microwave products.



Corporate Headquarters • 50 Minuteman Road • Andover, MA 01810 USA • (978) 967-1401 • (866) 627-6951 • Fax (978) 256-3599 • www.mrcy.com