

# Surface Mount Noise Source SMN7105-D1C

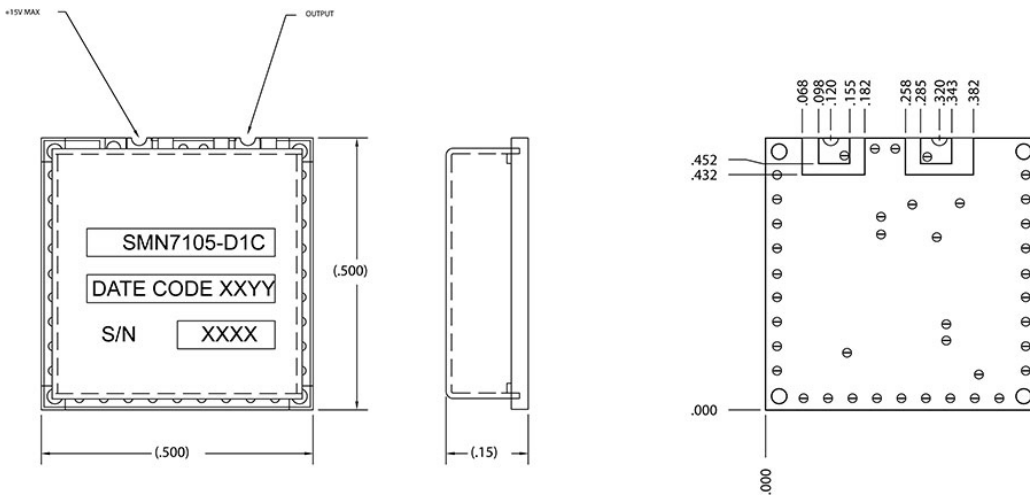


Specifications are subject to change without notice

## Specifications

Parameter	Value
RF Frequency	100 kHz to 3 MHz
Noise Output	101 dB Min ENR
Noise Spectral Density (No)	-73 dBm/Hz Min
Noise Power (N)	-8 dBm
Flatness	1 dB P-P Max
Peak Factor	5:01
Bias Voltage	12 V
Supply Current	35 mA Max
Construction	SMT 0.50 inch sq
Operating Temperature	-55 to 85 °C
Storage Temperature	-55 to 125 °C

## Outline Drawing



All dimensions are in inches

## Need More Help? Need a Variant of This Product?

Contact Mercury's RF & Microwave engineering team at [rf.microwave@rcy.com](mailto:rf.microwave@rcy.com) or visit [www.rcy.com/rf](http://www.rcy.com/rf) for a detailed listing of RF and Microwave products.



Corporate Headquarters • 50 Minuteman Road • Andover, MA 01810 USA • (978) 967-1401 • (866) 627-6951 • Fax (978) 256-3599 • [www.rcy.com](http://www.rcy.com)