

# Coaxial Isolator T-104S04

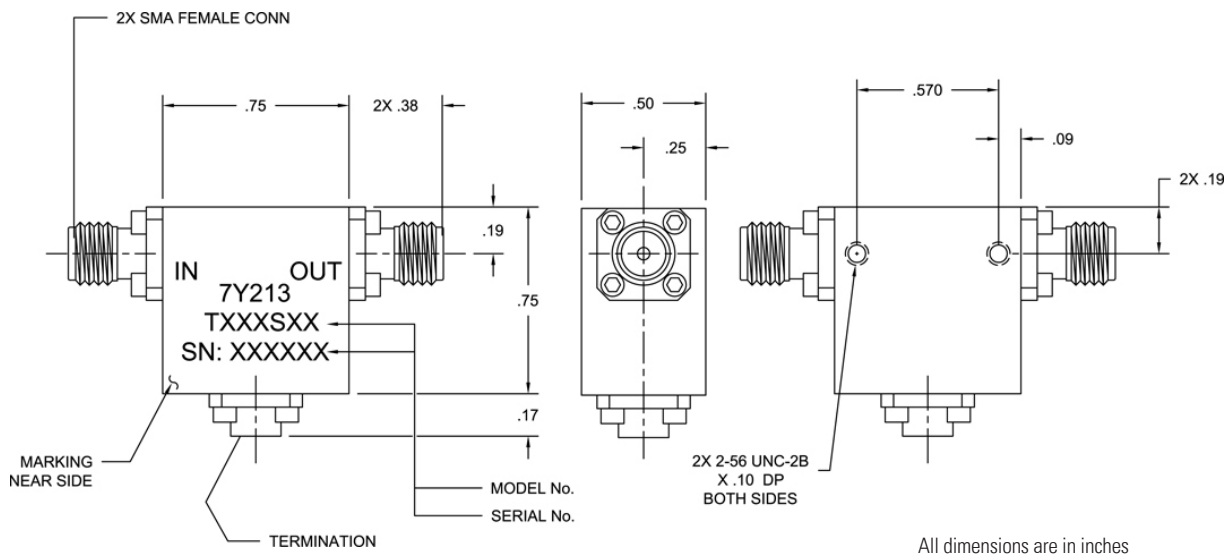


Specifications are subject to change without notice

## Specifications (+25°C)

Parameter	Value
RF Frequency	4.6 GHz to 5.4 GHz
Isolation	25 dB (min)
Insertion Loss	0.25 dB (max)
VSWR	1.15:1
Peak Power	100 Watts (max)
Average Power	10 Watts (max)
Power Forward	10 Watts
Power Reverse	1 Watts
Package Size	0.75 x 0.75 x 0.50"

## Outline Drawing



## Need More Help? Need a Variant of This Product?

Contact Mercury's RF & Microwave engineering team at [rf.microwave@rcy.com](mailto:rf.microwave@rcy.com) or visit [www.rcy.com/rf](http://www.rcy.com/rf) for a detailed listing of RF and Microwave products.



Corporate Headquarters • 50 Minuteman Road • Andover, MA 01810 USA • (978) 967-1401 • (866) 627-6951 • Fax (978) 256-3599 • [www.rcy.com](http://www.rcy.com)