

Coaxial Isolator T-204S01

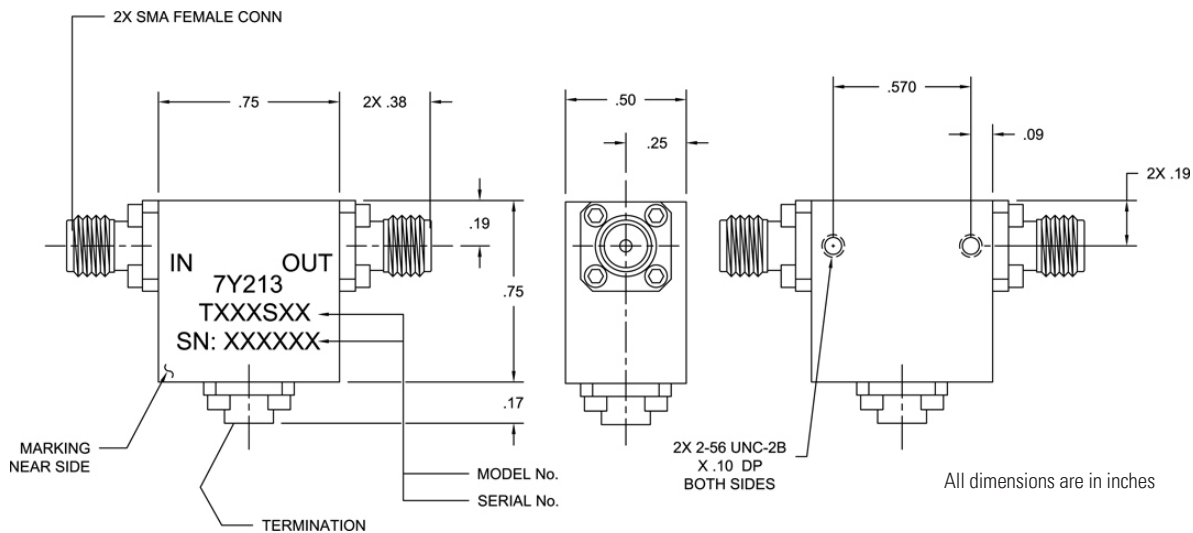


Specifications are subject to change without notice

Specifications (+25°C)

| Parameter | Value |
|----------------|---------------------|
| RF Frequency | 4.7 GHz to 6 GHz |
| Isolation | 23 dB (min) |
| Insertion Loss | 0.25 dB (max) |
| VSWR | 1.15:1 |
| Peak Power | 100 Watts (max) |
| Average Power | 10 Watts (max) |
| Power Forward | 10 Watts |
| Power Reverse | 0 Watts |
| Package Size | 0.75 x 0.75 x 0.50" |

Outline Drawing



Need More Help? Need a Variant of This Product?

Contact Mercury's RF & Microwave engineering team at rf.microwave@mrcy.com or visit www.mrcy.com/rf for a detailed listing of RF and Microwave products.



Corporate Headquarters • 50 Minuteman Road • Andover, MA 01810 USA • (978) 967-1401 • (866) 627-6951 • Fax (978) 256-3599 • www.mrcy.com