

Coaxial Isolator T-210S01

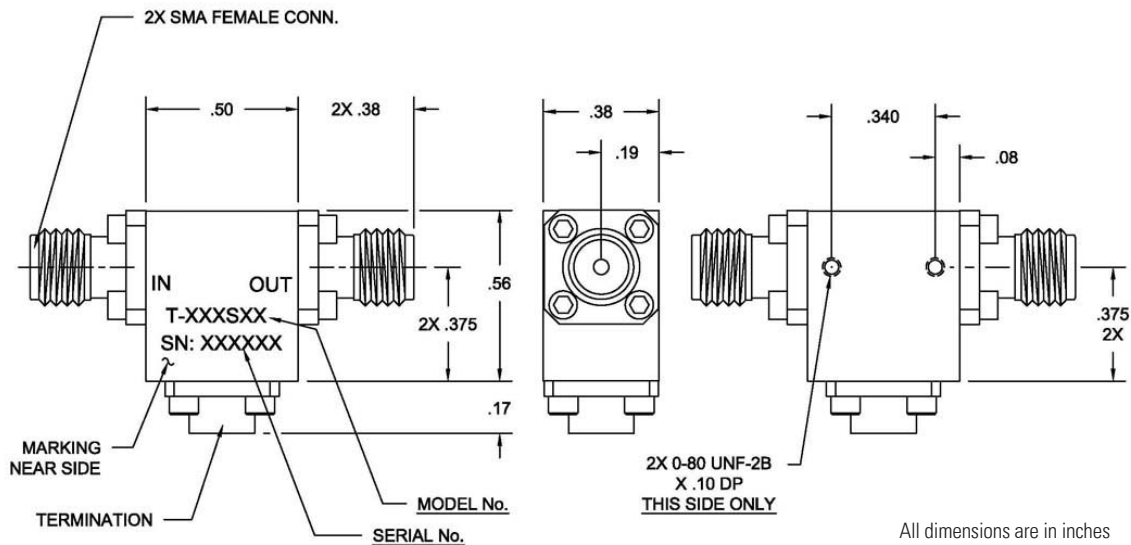


Specifications are subject to change without notice

Specifications (+25°C)

| Parameter | Value |
|----------------|----------------------|
| RF Frequency | 10.7 GHz to 13.3 GHz |
| Isolation | 23 dB (min) |
| Insertion Loss | 0.25 dB (max) |
| VSWR | 1.15:1 |
| Peak Power | 10 Watts (max) |
| Average Power | 1 Watts (max) |
| Package Size | 0.50 x 0.56 x 0.38" |

Outline Drawing



Need More Help? Need a Variant of This Product?

Contact Mercury's RF & Microwave engineering team at rf.microwave@rcy.com or visit www.rcy.com/rf for a detailed listing of RF and Microwave products.



Corporate Headquarters • 50 Minuteman Road • Andover, MA 01810 USA • (978) 967-1401 • (866) 627-6951 • Fax (978) 256-3599 • www.rcy.com

7182.00E-0119-ss-T-210S01-ferrite