

Coaxial Isolator T-600S01

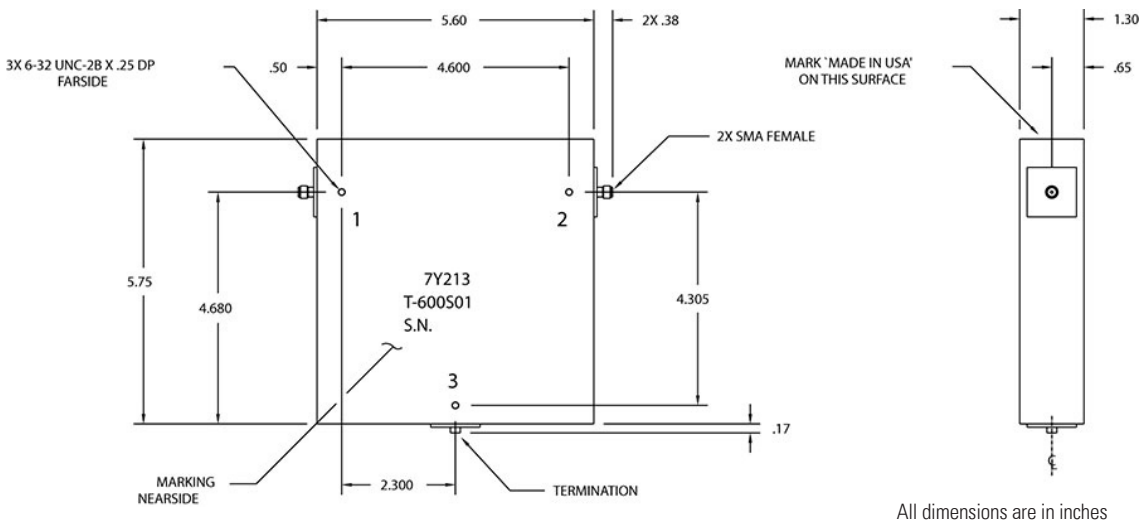


Specifications are subject to change without notice

Specifications

Parameter	Value
RF Frequency	0.5 GHz to 1 GHz
Isolation	16 dB (min)
Insertion Loss	0.9 dB (max)
VSWR	1.4:1
Peak Power	350 Watts (max)
Average Power	35 Watts (max)
Package Size	5.60 x 5.75 x 1.30"

Outline Drawing



Need More Help? Need a Variant of This Product?

Contact Mercury's RF & Microwave engineering team at rf.microwave@mrcy.com or visit www.mrcy.com/rf for a detailed listing of RF and Microwave products.



Corporate Headquarters • 50 Minuteman Road • Andover, MA 01810 USA • (978) 967-1401 • (866) 627-6951 • Fax (978) 256-3599 • www.mrcy.com