

# Coaxial Isolator T-601S01

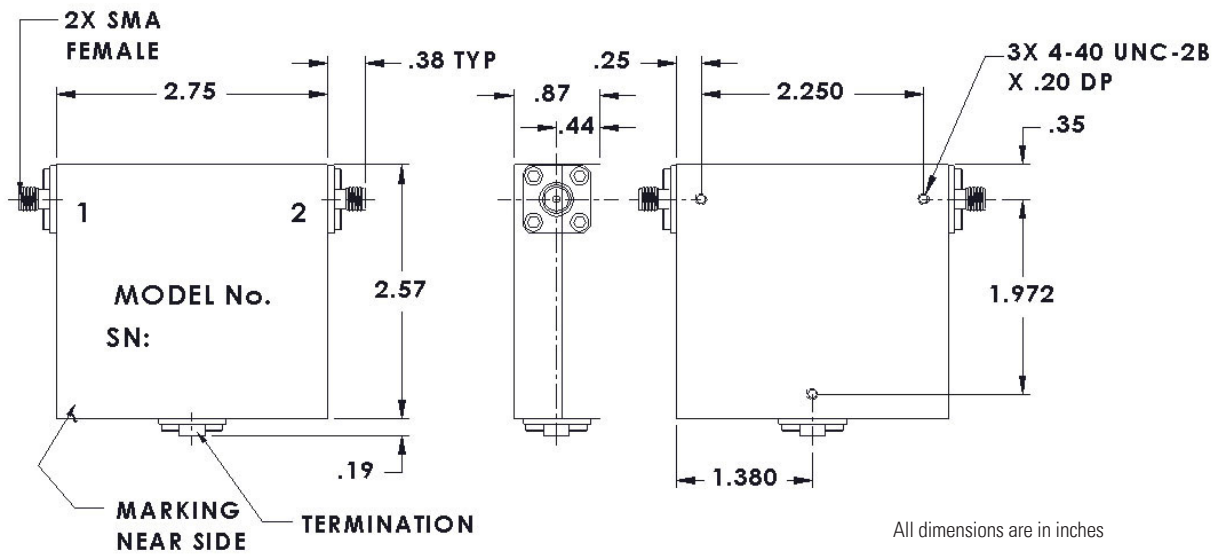


Specifications are subject to change without notice

## Specifications

| Parameter      | Value               |
|----------------|---------------------|
| RF Frequency   | 1 GHz to 2 GHz      |
| Isolation      | 17 dB (min)         |
| Insertion Loss | 0.6 dB (max)        |
| VSWR           | 1.35:1              |
| Peak Power     | 200 Watts (max)     |
| Average Power  | 20 Watts (max)      |
| Package Size   | 2.75 x 2.57 x 0.87" |

## Outline Drawing



### Need More Help? Need a Variant of This Product?

Contact Mercury's RF & Microwave engineering team at [rf.microwave@mrcy.com](mailto:rf.microwave@mrcy.com) or visit [www.mrcy.com/rf](http://www.mrcy.com/rf) for a detailed listing of RF and Microwave products.



Corporate Headquarters • 50 Minuteman Road • Andover, MA 01810 USA • (978) 967-1401 • (866) 627-6951 • Fax (978) 256-3599 • [www.mrcy.com](http://www.mrcy.com)