

Band-Pass Filter U1657

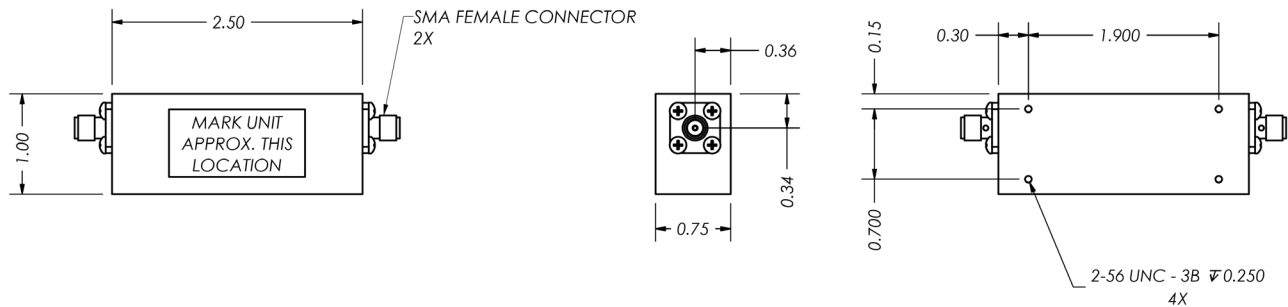


Specifications are subject to change without notice

Electrical Specifications (+25°C)

Parameter	Value
Passband	935 to 960 MHz
Insertion Loss	0.5 dB maximum
VSWR	1.5:1
Isolation	50 dB from 860 to 915 MHz
Rejection	50 dB from DC to 857 MHz
Rejection	50 dB from 1037 to 2000 MHz
Package size	0.75" x 1.0" x 2.5"

Outline Drawing



All dimensions are in inches

Need More Help? Need a Variant of This Product?

Contact Mercury's RF & Microwave engineering team at rf.microwave@mrcy.com or visit www.mrcy.com/rf for a detailed listing of RF and Microwave products.



Corporate Headquarters • 50 Minuteman Road • Andover, MA 01810 USA • (978) 967-1401 • (866) 627-6951 • Fax (978) 256-3599 • www.mrcy.com